

Life Is On

Schneider
Electric



Spacial CRN

Changes to the largest enclosures

Spacial CRNG > CRN substitution

se.com/enclosures

Improved user convenience on the largest sizes



In early 2023, the largest enclosures in the Spacial CRN range will be undergoing a slight change.

This means, regardless of their size (from 200 x 200 mm up to 1400 x 1000 mm or 1200 x 1200 mm), **all Spacial CRN enclosures will feature the same design and aesthetics.**

The same gutters, backs, cable entries, hinges, fixing centers, etc. will provide unique user convenience across the entire range.

Large size enclosures will no longer require any specific accessories or spare parts: the same series of items will be compatible with all enclosures, from the smallest to the largest.

The enclosures that are changing are those formerly referenced CRNG, featuring one of the following:

- height of 1200 mm or more
- width of 1000 mm or more
- depth of 400 mm

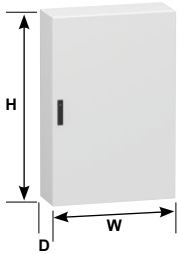
Smaller Spacial CRN enclosures are not undergoing any change.

In this document you will find all the information you will need to adapt your panel assembling and fitting processes

Substitute enclosure references

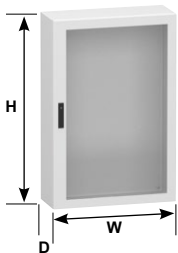
Replacing old references with the new ones in your database is very simple: just remove the "G" in 7th position (NSYCRNG••••• > NSYCRN•••••).

Plain door



H (mm)	W (mm)	D (mm)		Spacial CRNG	>	Spacial CRN
800	600	400	1	NSYCRN G 86400	>	NSYCRN86400
	1000	300	2	NSYCRN G 810300D	>	NSYCRN810300D
	1200	300	2	NSYCRN G 812300D	>	NSYCRN812300D
1000	600	400	1	NSYCRN G 106400	>	NSYCRN106400
	800	400	1	NSYCRN G 108400	>	NSYCRN108400
	1000	300	2	NSYCRN G 1010300D	>	NSYCRN1010300D
	1200	300	2	NSYCRN G 1012300D	>	NSYCRN1012300D
1200	600	400	2	NSYCRN G 1012400D	>	NSYCRN1012400D
		300	1	NSYCRN G 126300	>	NSYCRN126300
	800	400	1	NSYCRN G 126400	>	NSYCRN126400
		300	1	NSYCRN G 128300	>	NSYCRN128300
	1000	400	1	NSYCRN G 128400	>	NSYCRN128400
		300	2	NSYCRN G 1210300D	>	NSYCRN1210300D
	400	2	NSYCRN G 1210400D	>	NSYCRN1210400D	
1200	300	2	NSYCRN G 1212300D	>	NSYCRN1212300D	
	400	2	NSYCRN G 1212400D	>	NSYCRN1212400D	
1400	1000	300	2	NSYCRN G 1410300D	>	NSYCRN1410300D

Glazed door



H (mm)	W (mm)	D (mm)		Spacial CRNG	>	Spacial CRN
800	600	400	1	NSYCRN G 86400T	>	NSYCRN86400T
1000	600	400	1	NSYCRN G 106400T	>	NSYCRN106400T
	800	400	1	NSYCRN G 108400T	>	NSYCRN108400T
1200	1000	300	1	NSYCRN G 1010300T	>	NSYCRN1010300T
	600	300	1	NSYCRN G 126300T	>	NSYCRN126300T
800		400	1	NSYCRN G 126400T	>	NSYCRN126400T
	300	1	NSYCRN G 128300T	>	NSYCRN128300T	
1200	400	1	NSYCRN G 128400T	>	NSYCRN128400T	

Adapting the cable entries

Space available for cable entries is slightly larger, except for 600 mm wide enclosures. Gland plates are now compatible with a larger number of Spacial CRN enclosures.

Width: **600 mm**

CRN : 417 x 120
CRNG : 470 x 195

NSYTLG > **NSYTLCRND**

Width: **800 mm**

CRN : 317 x 120
CRNG : 320 x 105

NSYTLD > **NSYTLCRNC**

Width: **1000 mm**

CRN : 417 x 120
CRNG : 420 x 105

NSYTL > **NSYTLCRND**

Width: **1200 mm**

CRN : 417 x 120
CRNG : 420 x 105

NSYTL > **NSYTLCRND**

Accessories no longer compatible



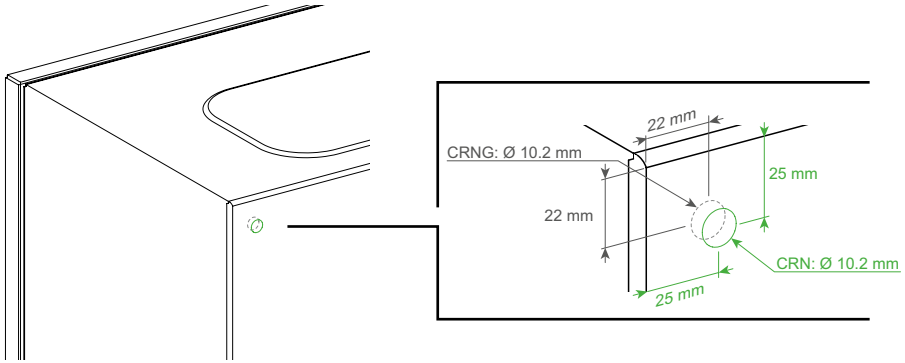
Cable gland plate with FL cut-out
NSYTL•FL



Flexicable
NSYTL•ME

Adapting the wall fitting

Fixing centers are now placed 25 mm away from edges on all enclosures in the Spacial CRN range; on the largest enclosures, these are now moving from 22 to 25 mm away. The 3 wall fitting lug references are now compatible with Spacial CRN enclosures of all sizes.



Wall-fitting lugs



Description	Spacial	
	CRNG	CRN
Zinc coated steel	NSYAEFPFSC	NSYPFCR
Stainless steel 304L	NSYAEFPFXSC	NSYPFCX
Stainless steel 316L	-	NSYPFC2X

Accessories no longer compatible

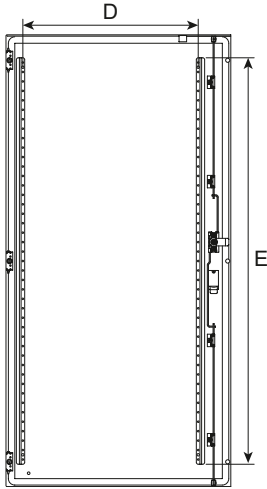


Heavy load kit
NSYAEFAHLBSC



Floor-standing kit
NSYWWMK•

Door back rails

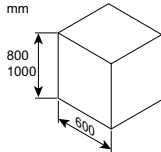


Door type	Door size H x W (mm)	D Spacial CRNG	D Spacial CRN	E Spacial CRNG	E Spacial CRN
Single	800 x 600	464 >	519 (+55)	620 >	525 (-95)
	1000 x 600	464 >	519 (+55)	820 >	725 (-95)
	1000 x 800	664 >	719 (+55)	820 >	725 (-95)
	1200 x 600	464 >	464 (=)	1020 >	1075 (+55)
	1200 x 800	664 >	664 (=)	1020 >	1075 (+55)
Right	800 x 1000	364 >	372 (+8)	620 >	675 (+55)
	800 x 1200	464 >	472 (+8)	620 >	675 (+55)
	1000 x 1000	364 >	372 (+8)	820 >	875 (+55)
	1000 x 1200	464 >	472 (+8)	820 >	875 (+55)
	1200 x 1000	364 >	372 (+8)	1020 >	1075 (+55)
	1200 x 1200	464 >	472 (+8)	1020 >	1075 (+55)
	1400 x 1000	364 >	372 (+8)	1020 >	1275 (+255)
Left	800 x 1000	414 >	419 (+5)	620 >	675 (+55)
	800 x 1200	514 >	519 (+5)	620 >	675 (+55)
	1000 x 1000	414 >	419 (+5)	820 >	875 (+55)
	1000 x 1200	514 >	519 (+5)	820 >	875 (+55)
	1200 x 1000	414 >	419 (+5)	1020 >	1075 (+55)
	1200 x 1200	514 >	519 (+5)	1020 >	1075 (+55)
	1400 x 1000	414 >	419 (+5)	1020 >	1275 (+255)



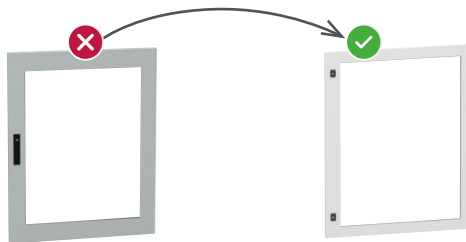
Door back rails help ensure rigidity of the door, but can also be used to help secure some pieces of equipment. In most cases, more space is available for that purpose with new Spacial CRN enclosures than with former Spacial CRNG.

Additional information



Door locking system

On the following references, the locking system has been changed. It is now made up of 2 cams, the same as all Spacial CRN enclosures of smaller dimensions. Only the largest enclosures retain the single handle and rod system.



Spacial CRNG		Spacial CRN
NSYCRNG86400*	>	NSYCRN86400
NSYCRNG86400T*	>	NSYCRN86400T
NSYCRNG106400*	>	NSYCRN106400
NSYCRNG106400T*	>	NSYCRN106400T
NSYCRNG108400	>	NSYCRN106400
NSYCRNG108400T	>	NSYCRN108400T



Earthing stud position

The stud bonding the door to the enclosure body, and to the earth, is now located at the bottom on all Spacial CRN enclosures.



More information >>>



www.se.com/spacial-crn



Schneider Electric Industries SAS

35, rue Joseph Monier
CS 30323
92506 Rueil Malmaison Cedex
France

RCS Nanterre 954 503 439
Capital social 928 298 512 €
www.se.com

2023
Document Number UEMKUG003EN

©2022 Schneider Electric. All Rights Reserved.
All trademarks are owned by Schneider Electric Industries SAS or its affiliated companies.

This document has been
printed on recycled paper 